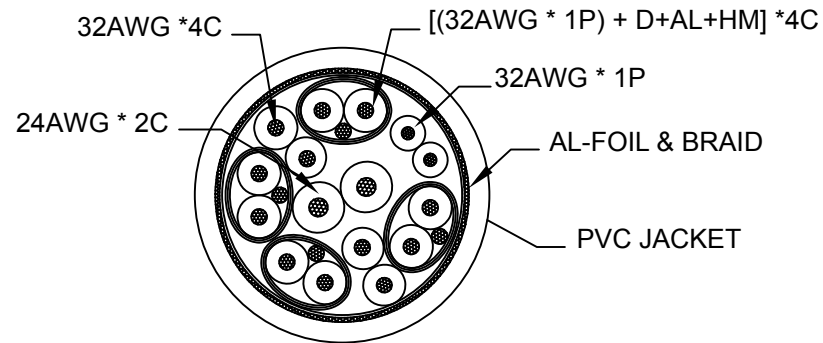
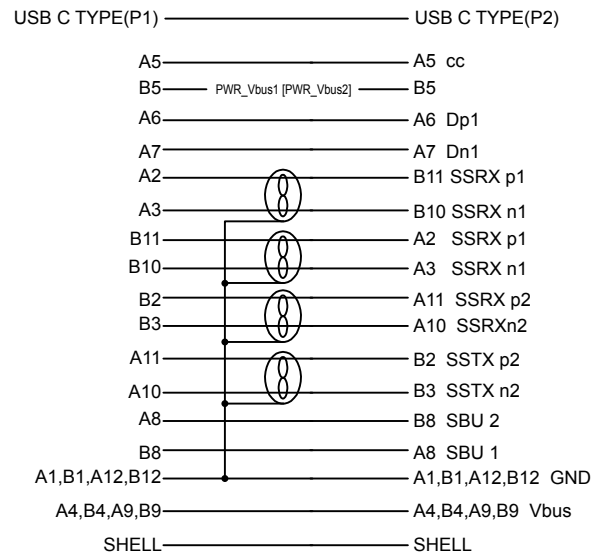


PIN ASSIGNMENT:



④	TAG	1PCS	DELTACO TAG
③	HOOD MOLD	2PCS	BLACK PVC
②	USB3.1 TYPE C M	2PCS	NICKEL PLATED SHELL
①	CABLE	1PCS	(32AWG*1P+D+AL+HM)*4C+32AWG*1P+32AWG*4C +24AWG*2C+AEB OD:4.5 ±0.2mm BLACK PVC JACKET
NO.	PARTS NAME	Q'TY	SPECIFICATION

NOTE:

- 1.TESTING:100% OPEN AND SHORT TEST
- 2.TESTING: 100% E-MARKER INFORMATION TEST
- 3.MONITOR AND PC 4K60HZ TEST
- 4.ALL MATERIAL BE ROHS COMPLIANT

APPROVED	CHECKED	DRAWN	CUSTOMER:	
			ITEM NO.	USBC-1054M
			DRAW NO.	
			UNIT	mm
			SCALE	NONE

DESCRIPTION:

USB 3.1 USB-C MALE/
USB-C MALE Gen1 3A
E-MARKER CHIPSET

