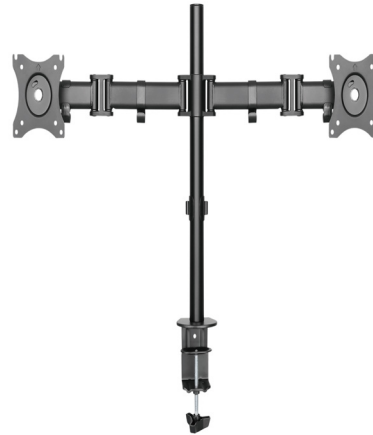


13"-27" display Desk mount

DELTACO
A NORDIC BRAND
OFFICE



PRODUCT DATA

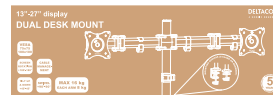
Compatible displays:	13"-27"
Screen quantity:	2
Weight capacity (per screen):	8 kg
VESA:	75x75,100x100
Product category:	Articulating monitor arm
Tilt range:	0°~-12°
Swivel range:	+90°~-90°
Screen rotation:	+180°~-180°
Material:	Aluminum, plastic, steel
Surface finish:	Powder coating
Color:	Matte black
Dimensions:	726 x 550 x 116 mm
Arm full extension:	428 mm
Pole height:	450 mm
Suggested desktop thickness:	Clamp:10~88 mm grommet:10~75 mm
Installation:	Grommet, clamp
Cable management:	Yes
Quick release VESA plate:	No
Accessory kit package:	Normal/ziplock, polybag, compartment polybag

LOGISTICS DATA

Article number:	ARM-0300
Brand:	DELTACO
EAN code:	7333048042743
Country of origin:	China
Custom tariff number:	83024900
Master carton packing unit:	4 pcs
Master carton gross weight:	21,8 kg
Master carton dimensions:	49,5 x 31,5 x 27,5 cm
Package type:	Box
Package weight:	5,3 kg
Package dimensions:	47,3 x 15 x 13 cm

PACKAGING

Package contents:	Desk mount, mounting kit and manual
-------------------	-------------------------------------



-Image may differ from the actual package



Drawing

