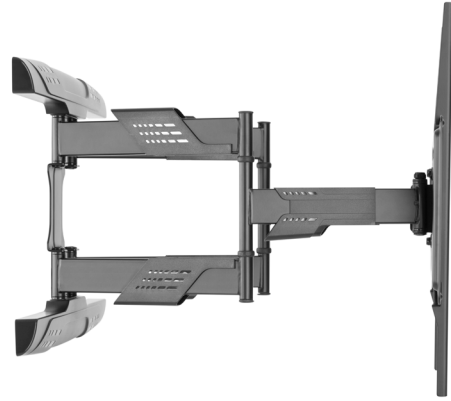


32"-70" display Low profile full-motion wall mount

DELTACO
A NORDIC BRAND
OFFICE



PRODUCT DATA

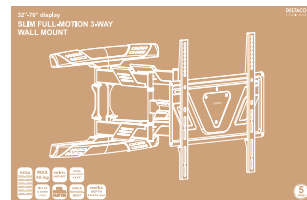
Compatible displays:	32-70"
Max weight:	45 kg
VESA:	200x200,300X200,300X300,400x200,400X300,400x400
Profile depth:	41~475 mm
Product category:	Full-motion wall mount
Tilt range:	+7°~-15°
Swivel range:	+60°~-60°
Screen level:	+ 3°~-3°
Material:	Steel, plastic
Metal sheet thickness:	Wall plate THK=2.5mm pickling sheet, VESA panel THK=2mm cold-rolled sheet, bracket arm THK=2mm cold-rolled sheet (wall plate THK=0.098" pickling sheet, VESA panel THK=0.079" cold-rolled sheet, bracket arm THK=0.079" cold-rolled sheet)
Surface finish:	Powder coating
Color:	Matte black
Dimensions:	475 x 490 x 430 mm
Mounting hole pattern:	VESA & universal
Strength tested:	4 times approved
Installation:	Double stud (406mm/450mm), solid wall
Panel type:	Detachable panel
Wall plate type:	Fixed wall plate
Fit curved TV:	Yes
Cable management:	Yes
Bubble level:	No
Accessory kit package:	Compartment polybag

LOGISTICS DATA

Article number:	ARM-0258
Brand:	DELTACO
EAN code:	7333048042729
Country of origin:	China
Custom tariff number:	83024900
Master carton packing unit:	3 pcs
Master carton gross weight:	23 kg
Master carton dimensions:	64 x 40.5 x 18.5 cm
Package type:	Box
Package weight:	7.35 kg
Package dimensions:	62.5 x 39 x 5.5 cm

PACKAGING

Package contents:	Wall mount, mounting kit for wall, mounting kit for display and manual.
-------------------	---



-Image may differ from the actual package

Drawing

