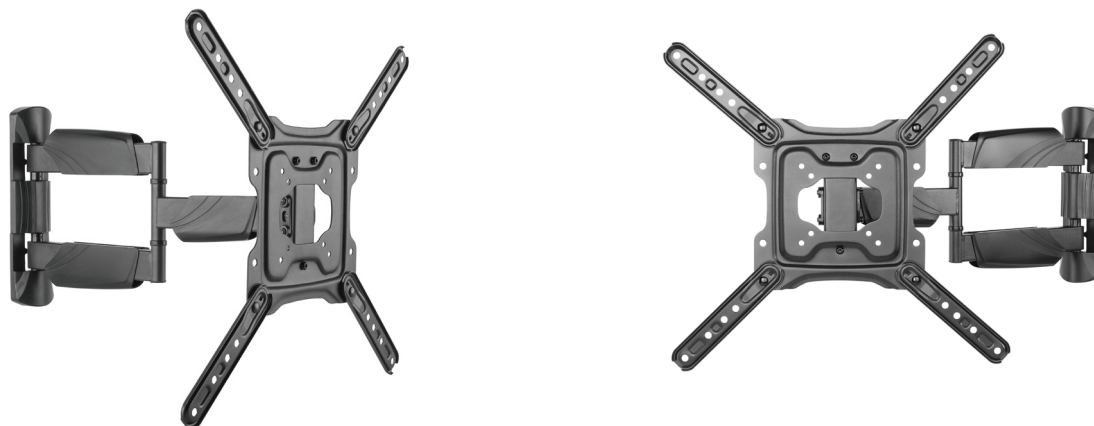


# 23"-55" display Full-motion wall mount

**DELTA**CO  
A NORDIC BRAND  
**OFFICE**



## PRODUCT DATA

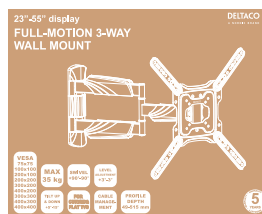
Compatible displays:	23"-55"
Max weight:	35 kg
VESA:	75x75, 100x100, 200x100, 200x200, 300x200, 300x300, 400x200, 400x300, 400x400
Profile depth:	49~515 mm
Product category:	Full-motion wall mount
Pipe size:	40 x 20 x 1.5 mm
Tilt range:	+5°~-15°
Swivel range:	+90°~-90°
Screen level:	+ 3°~-3°
Material:	Steel, plastic
Metal sheet thickness:	Wall plate THK=2.5mm pickling sheet, VESA panel THK=1.8mm cold-rolled sheet (wall plate THK=0.098" pickling sheet, VESA panel THK=0.071" cold-rolled sheet)
Surface finish:	Powder coating
Color:	Fine texture black
Dimensions:	435 x 435 x 515 mm
Mounting hole pattern:	VESA only
Strength tested:	4 times approved
Installation:	Solid wall, single stud
Panel type:	Detachable panel
Wall plate type:	Fixed wall plate
Fit curved TV:	Yes
Cable management:	Yes
Anti-theft:	No
Bubble level:	No
Accessory kit package:	Normal/ziplock polybag, compartment polybag

## LOGISTICS DATA

Article number:	ARM-0257
Brand:	DELTACO
EAN code:	7333048042712
Country of origin:	China
Custom tariff number:	83024900
Master carton packing unit:	6 pcs
Master carton gross weight:	22 kg
Master carton dimensions:	37.5 x 28.5 x 40.5 cm
Package type:	Box
Package weight:	3.58 kg
Package dimensions:	36 x 27 x 6.3 cm

## PACKAGING

Package contents:	Wall mount, mounting kit for wall, mounting kit for display and manual.
-------------------	---



-Image may differ from the actual package

## Drawing

