



NorStone
design

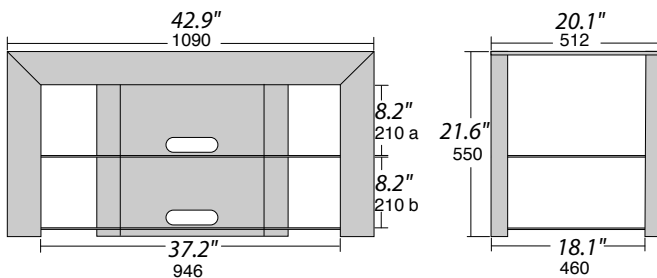
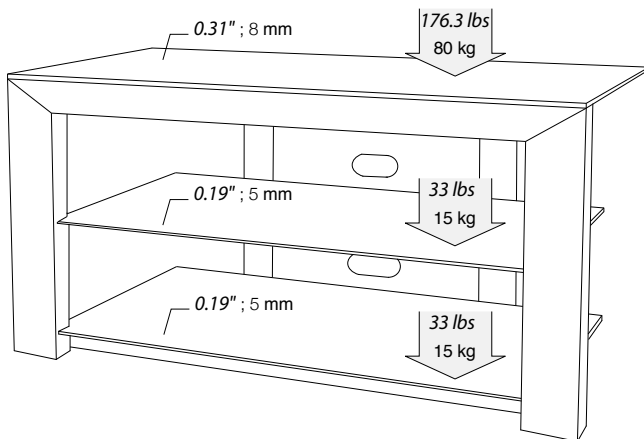
Più AV

Più AV version will easily carry your plasma or LCD TV (up to 176 lbs, 80 kg), your entire home theater equipment and your central speaker.



Glossy black finish

Specifications



Structure : Structure MDF and steel.
Lacquered tempered glass.
Wire path.

Maximum load : Top shelf can hold up to 176.3 lbs ; 80 kg
Internal shelves can hold up to 33 lbs ; 15 kg

Dimensions : Overall dimensions : W42.9" x D20.1" x H21.6"
W1090 x D512 x H550 mm
Internal shelves : W37.2" x D18.1"
W946 x D460 mm
Height between shelves : a: 8.2" ; 210 mm
b: 8.2" ; 210 mm

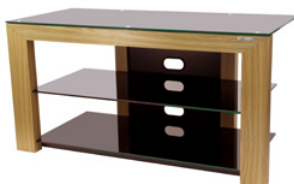
Packaging : Brown packaging.
Packaging size : W46.4" x D26.4" x H5.1"
W1180 x D670 x H130 mm
Gross weight : 100.5 lbs ; 45,6 kg
Net weight : 89.1 lbs ; 40,4 kg
Number of labels : 1 front and 1 back.

Packaging : delivered in flat box.
Accessories : screws kit, mounting instructions,
mounting tools.

Colors : Wenge / white lacquered tempered glass
Glossy black / black lacquered tempered glass
Oak / black lacquered tempered glass

Details

Oak finish



Wenge finish

